

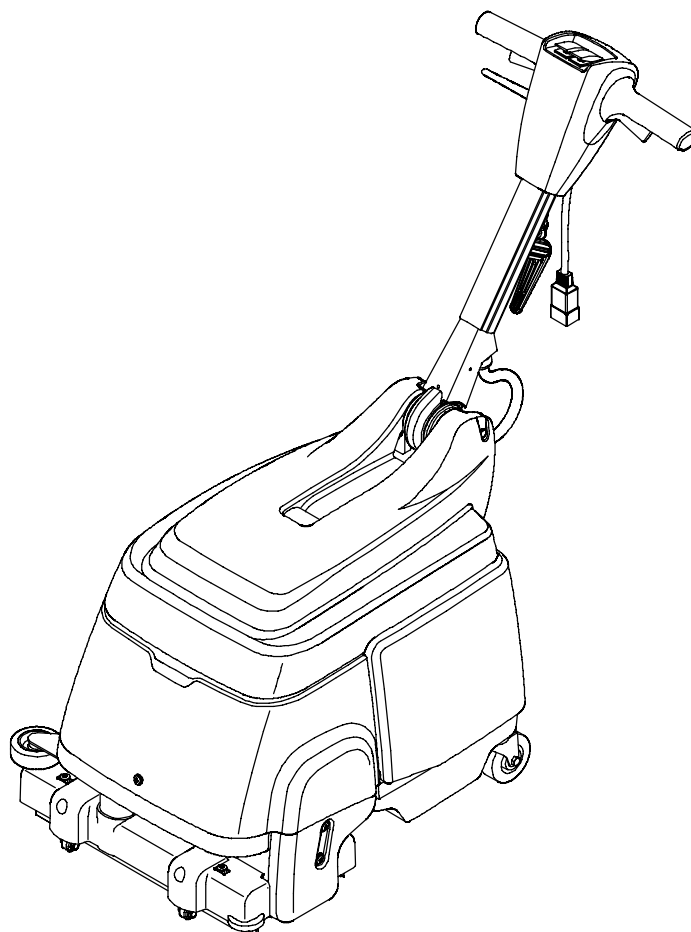
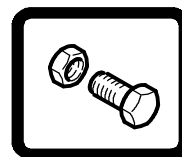


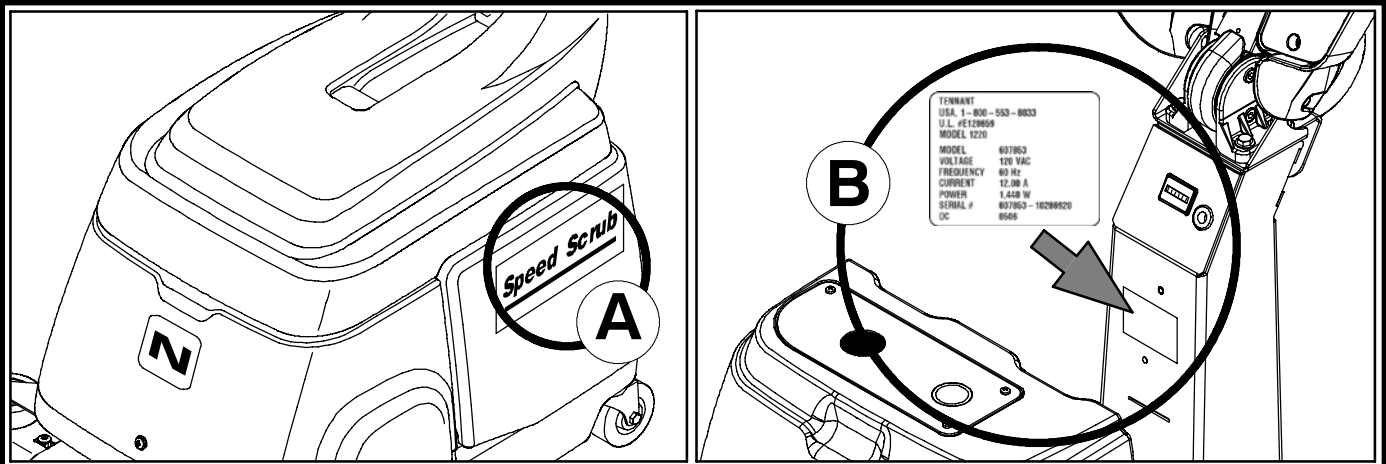
Model 9004200-120V

SPEED SCRUB®

FLOOR SCRUBBER
(S/N 10000000-20000000)

PARTS MANUAL





Ref	Part No.	Serial Number	Description	Qty.
1	82681	(000000-)	Bracket Wldt, Lpg Mount	1
2	63810	(000000-)	Ch Assy, Lpg Tank Mtg, W/Nut	4
3	51839	(000000-)	at Adjustable, Lpg Tank Mtg	2
4	49263	(000000-)	Tie, Cable	3
	82556	(000000-001039)	Bracket, Vaporizer	1
	54930	(000000-)	Vaporizer, LPG	1

HOW TO ORDER PARTS - See diagram above

Only use TENNANT Company supplied or equivalent parts. Parts and supplies may be ordered online, by phone, by fax or by mail.

Follow the steps below to ensure prompt delivery.

1. (A) Identify the machine model.
2. (B) Identify the machine serial number from the data label.
3. (C) Ensure the proper serial number is used from the parts list.
4. Identify the part number and quantity.
Do not order by page or reference numbers.
5. Provide your name, company name, customer ID number, billing and shipping address, phone number and purchase order number.
6. Provide detail shipping instructions.

- (D) ▽ - identifies an assembly
 ▲ - identifies parts included in assembly
 (E) ● - identifies a recommended stock item

Please fill out at time of installation for future reference.

Model No. - _____
 Serial No. - _____
 Machine Options - _____
 Sales Rep. - _____
 Sales Rep. phone no. - _____
 Customer ID Number - _____
 Installation Date - _____

Tennant Company

PO Box 1452
 Minneapolis, MN 55440
 Phone: (800) 553-8033 or (763) 513-2850

www.nobles.com

Specifications and parts are subject to change without notice.

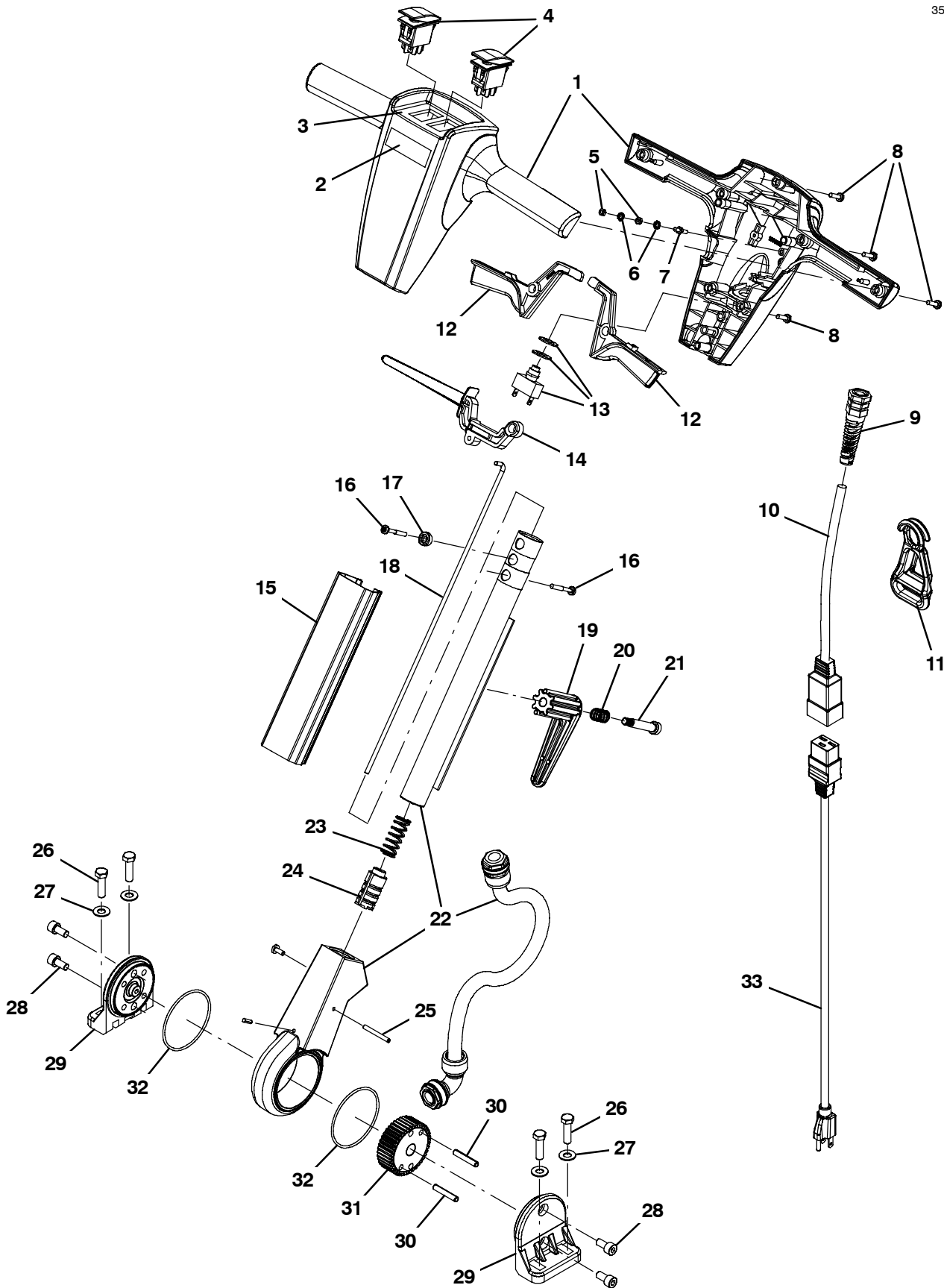
Copyright © 2009 TENNANT Company, Printed in U.S.A.

TABLE OF CONTENTS

HANDLE GROUP	4
FRAME GROUP	6
TANKS AND SHROUD GROUP	8
TANK COVER GROUP	10
VACUUM FAN GROUP	12
SOLUTION GROUP	14
SCRUB HEAD GROUP	16
SCRUB HEAD LIFT GROUP	18
SQUEEGEE GROUP, FRONT	20
SQUEEGEE GROUP, REAR	22
ELECTRICAL DIAGRAM	24

HANDLE GROUP

355054



HANDLE GROUP

Ref.	Part No.	Serial Number	Description	Qty.
▽	9005511	(10000000-20000000)	● Handle, Nobles Speed Scrub 15"	1
▲▽	1 9004323	(10000000-20000000)	● Cover, Handle Front/Rear Nobles Ss Kit	1
▲▲	2 1039088	(10000000-20000000)) Label, Logo, Handle [Nobles]	1
▲▲	3 1037324	(10000000-20000000)) Label, Opertnl, Instrmt Panl, Scrubber	1
▲	4 602919	(10000000-20000000)	● Switch, Rocker, Dpdt, On / On	2
▲	5 42368	(10000000-20000000)) Nut, Hex, Std, M4 X 0.70, 8	2
▲	6 140061	(10000000-20000000)) Washer, Lock, Ext, 08, Pl	2
▲	7 1034952	(10000000-20000000)) Screw, Hex, M4 X 0.7 X 12, Dbl Thrd	1
▲	8 1043573	(10000000-20000000)) Screw, #10-14 X 0.675, Spl[Shcs,Selftap]	7
▲	9 130166	(10000000-20000000)	● Grip, Cord, Strainrelief Pg-11 W/Nut Bk	1
▲	10 1042410	(10000000-20000000)	● Cord, 14ga /3, 16.0l, W/ Receptacle, Yel	1
▲	11 1037147	(10000000-20000000)	● Clip, Cord, Strainrelief, Black	1
▲	12 1033893	(10000000-20000000)	● Lever, Cntrl, Switch [Trex]	2
▲	13 130712	(10000000-20000000)	● Switch, Push, Spst, No	1
▲	14 1034945	(10000000-20000000)) Lever, Adjmt, Handle	1
▲	15 1036599	(10000000-20000000)) Cover, Handle, Nobles [Trex]	1
▲	16 1043572	(10000000-20000000)) Screw, #10-14 X 01.5, Spl[Shcs Selftap]	2
▲	17 1034176	(10000000-20000000)) Bushing, Flng, 5mmb 12mmd 8mml, Pa6	1
▲	18 1034180	(10000000-20000000)) Rod, Release [Trex]	1
▲	19 603104	(10000000-20000000)	● Hook, Cord, Blk [Quick-Release]	1
▲	20 603108	(10000000-20000000)) Spring, Cmpr, Switch	1
▲	21 140239	(10000000-20000000)) Bolt, Shld, .38d X 1.75, .31-18	1
▲	22 1045239	(10000000-20000000)) Tube, Assy, Handle	1
▲	23 1013295	(10000000-20000000)) Spring, Cmpr [2100 Series]	1
▲	24 9006059	(10000000-20000000)) Plunger Kit, Handle	1
▲	25 1034924	(10000000-20000000)) Pin, Roll, 04mmd X 40mml	1
▲	26 1016399	(10000000-20000000)) Screw, Hex, M8 X 1.25 X 30, NI, Ss	4
▲	27 140027	(10000000-20000000)) Washer, Flat, 0.35b 0.75d .04, Ss	4
▲	28 49609	(10000000-20000000)) Screw, Soc, M8 X 1.25 X 16, 12.9	4
▲	29 1000307	(10000000-20000000)) Handle, Pivot, Half	2
▲	30 1034155	(10000000-20000000)) Pin, Roll, 06mmd X 36mml	2
▲	31 1034872	(10000000-20000000)	● Gear, Lock, Handle	1
▲	32 612422	(10000000-20000000)	● Seal, Org, Gear Seat	2
▲	33 1042403	(10000000-20000000)	● Cord, Power, 1.5mm /3 Yel[2x15m 50ft Us]	1

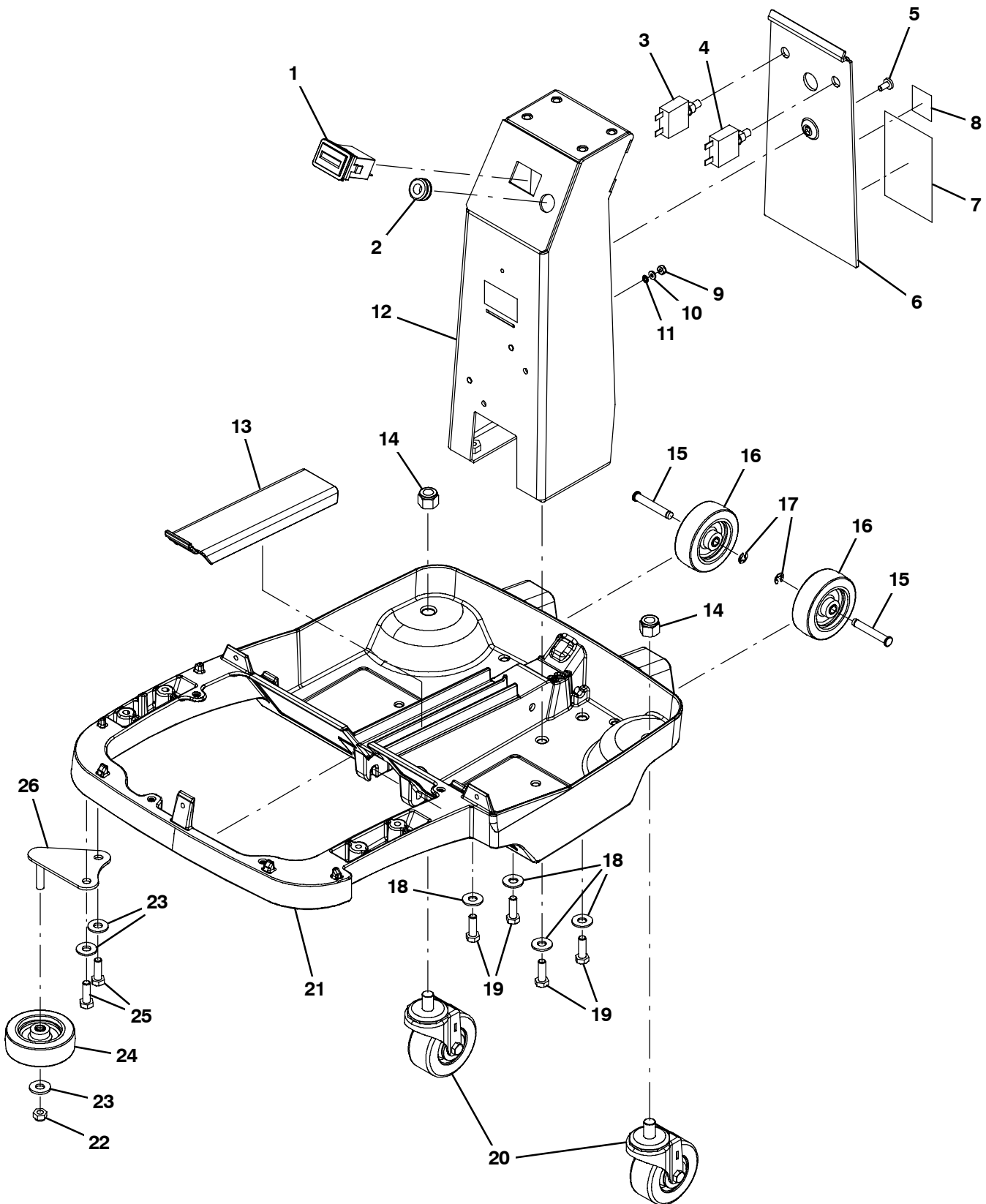
▽ ASSEMBLY

▲ INCLUDED IN ASSEMBLY

● RECOMMENDED STOCK ITEMS

FRAME GROUP

355056



FRAME GROUP

Ref.	Part No.	Serial Number	Description	Qty.	
1	1033904	(10000000-20000000)	● Meter, Hour, 120 Volt [T-Rex]	1	
2	86726	(10000000-20000000)) Grommet, Rbr, 0.44id, F/0.5h, .19 Matl	1	
3	383720	(10000000-20000000)	● Circuitbreaker, 05.0a, Resetable	1	
4	383722	(10000000-20000000)	● Circuitbreaker, 15.0a, Resetable	1	
5	74027	(10000000-20000000)) Screw, Pan, Phl, M6 X 1.00 X 12, NI, PI	1	
▽	6	9004277	(10000000-20000000)) Cover Kit, Column, W/ Label [3gal 120v]	1
▲	7	1039105	(10000000-20000000)) Label, Warning, Ac Scrbr/Extr [En/Fr/Es/Jp]	1
▲	8	NA	(10000000-20000000)) Label, Safety, 120vac [EtI]	1
9	1044427	(10000000-20000000)) Nut, Hex, Lock, #8-32, NI, Ss	1	
10	41578	(10000000-20000000)) Washer, Flat, 06, Ss	1	
11	02938	(10000000-20000000)) Washer, Lock, Int, 08, Ss	1	
12	9004276	(10000000-20000000)) Column Kit, Sppt, W/ Label [3 Gal]	1	
13	1030718	(10000000-20000000)) Cover, Frame, Rear [Trex]	1	
14	02931	(10000000-20000000)) Nut, Hex, Lock, .50-13, NI, Ss	2	
15	1035137	(10000000-20000000)) Pin, Clevis, Grvd 0.31d X 2.00l, Ss	2	
16	1014918	(10000000-20000000)	● Wheel, 03.0d 0.88w 0.31b, W/ Bshg, Rbr	2	
17	1035139	(10000000-20000000)) Ring, Retaining, Ext, 0.31d, E-Type	2	
18	01685	(10000000-20000000)) Washer, Flat, 0.38b 0.88d .08, Ss	4	
19	1015852	(10000000-20000000)) Screw, Hex, M8 X 1.25 X 25, NI, Fl, Ss	4	
20	601443	(10000000-20000000)	● Caster, Swivel, 3.0d 1.3w, .50-13 Stem	2	
21	1034013	(10000000-20000000)) Frame (Machined)	1	
22	08713	(10000000-20000000)) Nut, Hex, Lock, M8 X 1.25, NI, Ss	1	
23	01685	(10000000-20000000)) Washer, Flat, 0.38b 0.88d .08, Ss	3	
24	1014918	(10000000-20000000)	● Wheel, 03.0d 0.88w 0.31b, W/ Bshg, Rbr	1	
25	49826	(10000000-20000000)) Screw, Hex, M8 X 1.25 X 16, NI, Ss	2	
26	1034805	(10000000-20000000)) Bracket, Bumper Wheel	1	
N/S	1033825	(10000000-20000000)) Harness, Chassis, Ele, Scrbr, [T-Rex]	1	

▽ ASSEMBLY

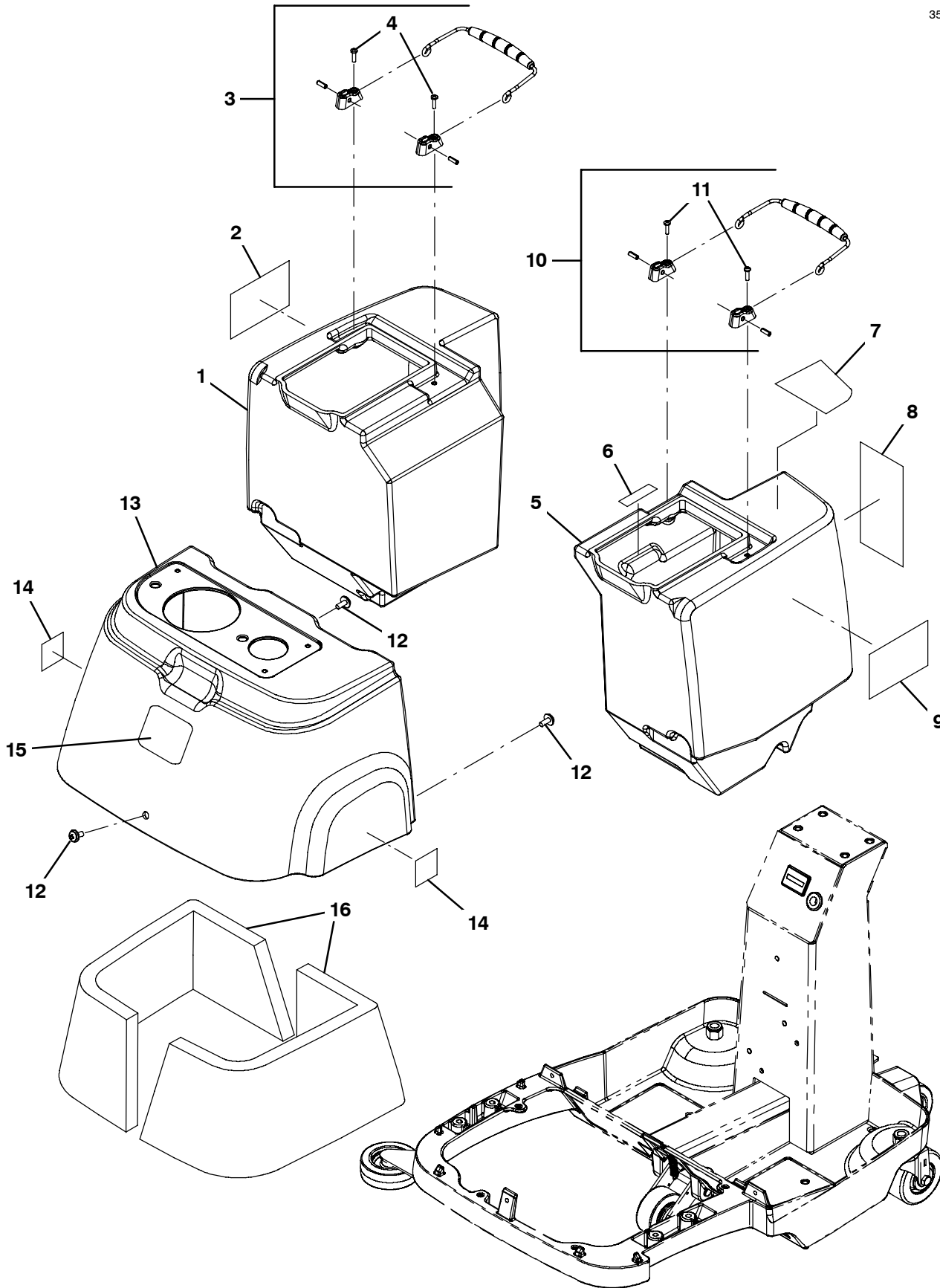
▲ INCLUDED IN ASSEMBLY

● RECOMMENDED STOCK ITEMS

N/S = NOT SHOWN

TANKS AND SHROUD GROUP

355074



TANKS AND SHROUD GROUP

Ref.	Part No.	Serial Number	Description	Qty.
▽	1	9004313	(10000000-20000000) Tank, Rec W/ Labels Nobles 3 Gal Kit	1
▲	2	1039498	(10000000-20000000) Label, Side, Speed Scrub	1
▲▽	3	9004285	(10000000-20000000)● Handle, Tank Kit	1
▲▲	4	24265	(10000000-20000000) Screw, Pan, Phl, M4 X 0.70 X 16, Ss	2
▽	5	9004315	(10000000-20000000) Tank, Sol W/ Labels Nobles 3 Gal Kit	1
▲	6	1044865	(10000000-20000000) Label, Solution, Tank, Max. Fill, 3 Gal.	1
▲	7	1039138	(10000000-20000000) Label, Tank, Soltn, 3.0gal	1
▲	8	1040112	(10000000-20000000) Label, Oper, Instr [Scrubber]	1
▲	9	1039498	(10000000-20000000) Label, Side, Speed Scrub	1
▲▽	10	9004285	(10000000-20000000)● Handle, Tank Kit	1
▲▲	11	24265	(10000000-20000000) Screw, Pan, Phl, M4 X 0.70 X 16, Ss	2
	12	1019349	(10000000-20000000) Screw, Trs, M6 X 1.00 X 16, Ss, Sems	3
▽	13	9004302	(10000000-20000000) Shroud, W/ Labels Nobles 3 Gal Kit	1
▲	14	578769	(10000000-20000000) Decal, Moving Parts Textless	2
▲	15	1034636	(10000000-20000000) Label, Front, 3.00 [Nobles Icon]	1
	16	1040710	(10000000-20000000) Insulation, Acstc, 0.8, 19.2 X 04.1 Adh	2

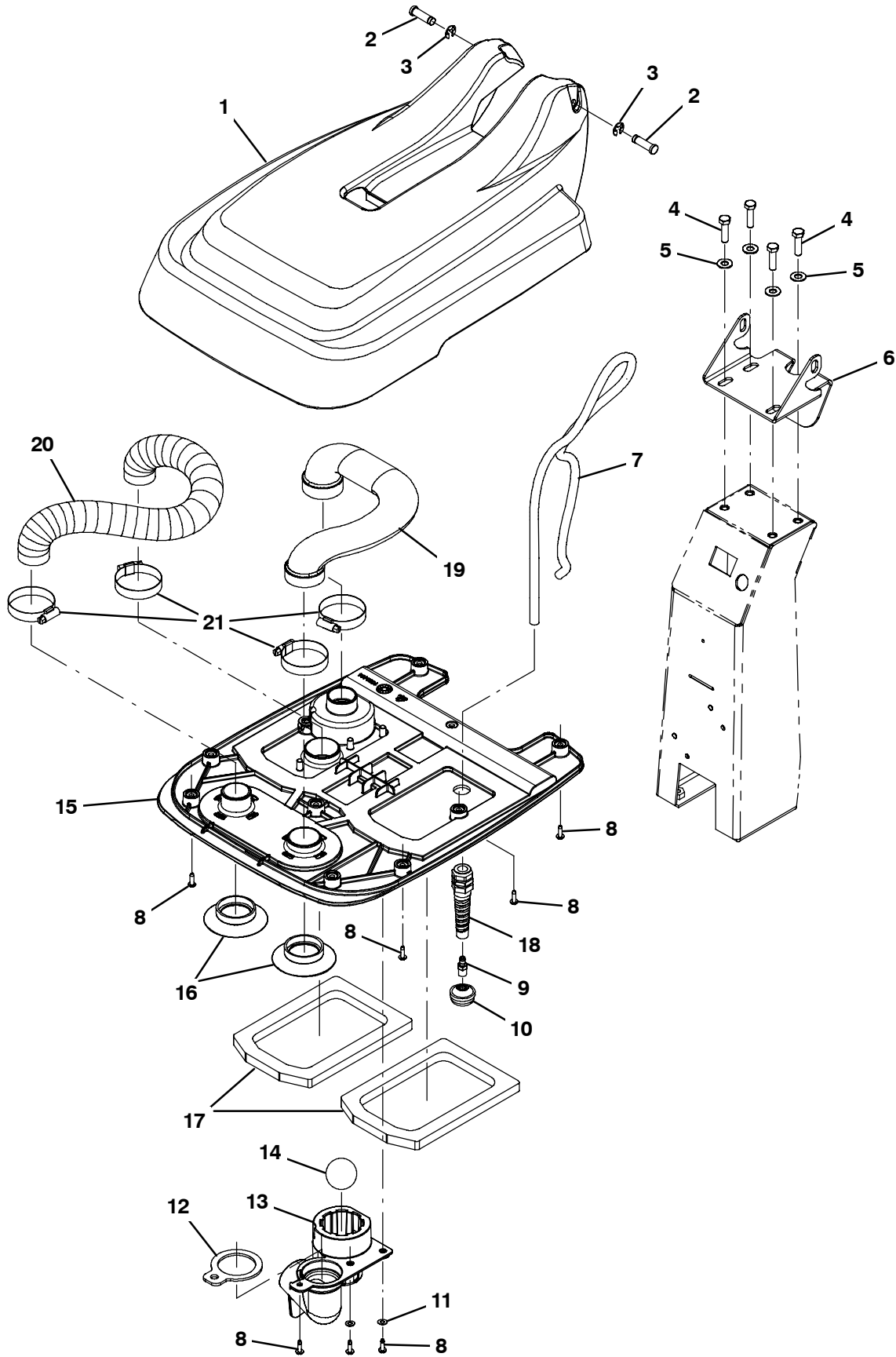
▽ ASSEMBLY

▲ INCLUDED IN ASSEMBLY

● RECOMMENDED STOCK ITEMS

TANK COVER GROUP

355055



TANK COVER GROUP

Ref.	Part No.	Serial Number	Description	Qty.	
1	1037759	(10000000-20000000)	Cover , Tanks, Upper, Nobles [Trex]	1	
2	1035358	(10000000-20000000)	Pin, Grvd, 0.375d, 1.25l	2	
3	24555	(10000000-20000000)	Ring, Retaining, Ext, 0.38d, [E-Ring]	2	
4	1016399	(10000000-20000000)	Screw, Hex, M8 X 1.25 X 30, NI, Ss	4	
5	140027	(10000000-20000000)	Washer, Flat, 0.35b 0.75d .04, Ss	4	
6	1034346	(10000000-20000000)	Bracket, Pivot, Cover, Mtg	1	
7	1036078	(10000000-20000000)	Hose, Soltn, .25 Id, .453 Od, 39.25 L	1	
8	140340	(10000000-20000000)	Screw, Pan, Phl, 10-24 X 0.62, Ss[Typ25]	13	
9	1042715	(10000000-20000000)	Fitting, Brs, Str, Bm04/Pm02	1	
10	1032556	(10000000-20000000)	● Filter, Soltn Tube, 80 Mesh	1	
11	140011	(10000000-20000000)	Washer, Flat, 0.21b 0.45d .03, Ss	2	
12	1051274	(10000000-20000000)	Gasket, Shield, Float	1	
13	1042277	(10000000-20000000)	Shield, Float	1	
14	1044370	(10000000-20000000)	● Ball, Float, W/O Cage	1	
▽	15	9005924	(10000000-20000000)	Cover, Tank, Inner W/ Seals, Kit	1
▲	16	1036090	(10000000-20000000)	● Seal, Vacuum [Trex]	2
▲	17	1034801	(10000000-20000000)	● Gasket, Tank	2
▲	18	130167	(10000000-20000000)	Strainrelief, Cord, Ele, Pm08, Blk Nyl	1
	19	1035866	(10000000-20000000)	Hose, Recvy, Formed [Trex]	1
	20	1037756	(10000000-20000000)	● Hose, Vacuum, 1.5od, 18.0l [Wire-Reinf]	1
	21	140308	(10000000-20000000)	Clamp, Hose, Wormdrive, 1.31-2.25d, .50w	4

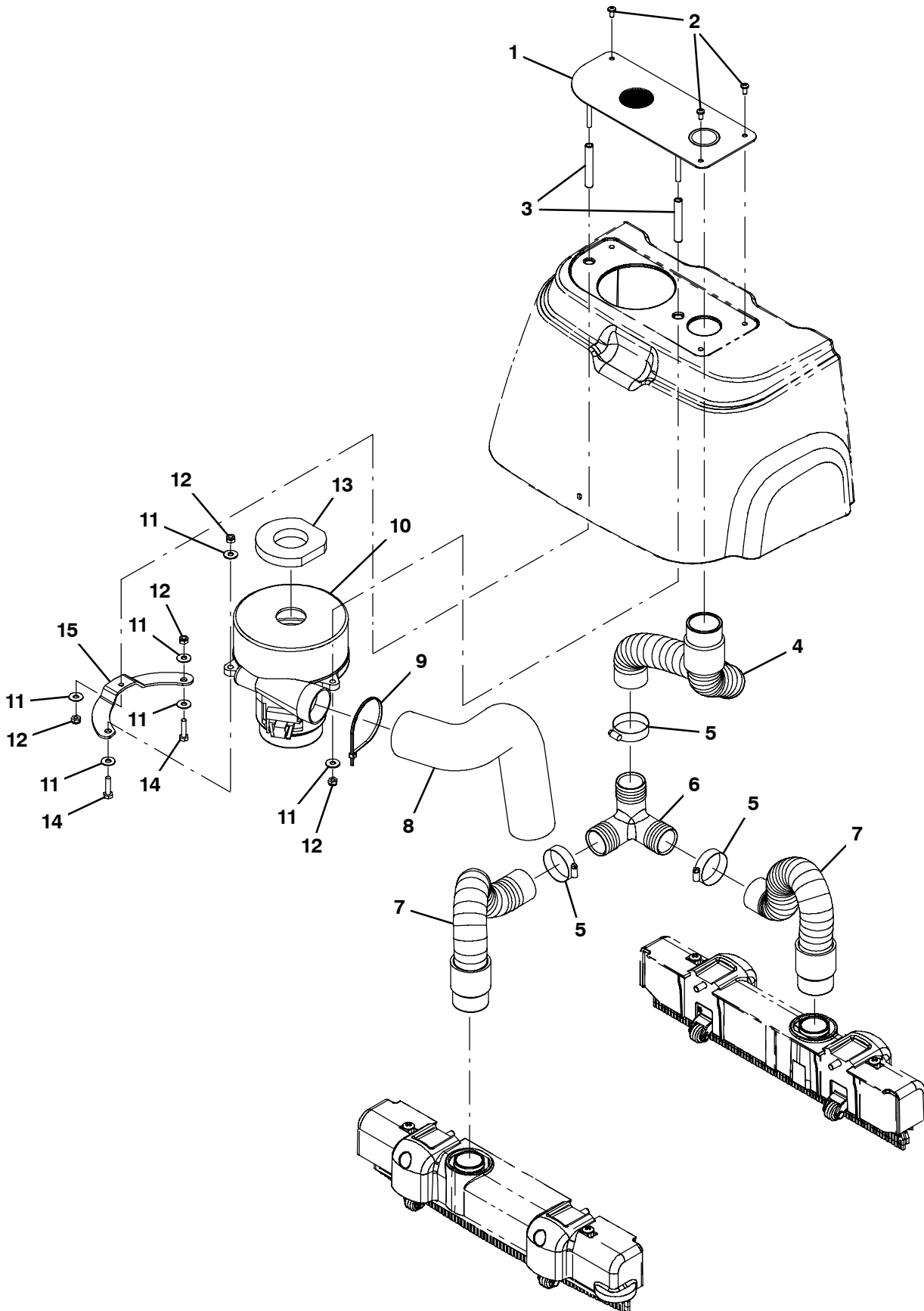
▽ ASSEMBLY

▲ INCLUDED IN ASSEMBLY

● RECOMMENDED STOCK ITEMS

VACUUM FAN GROUP

355061



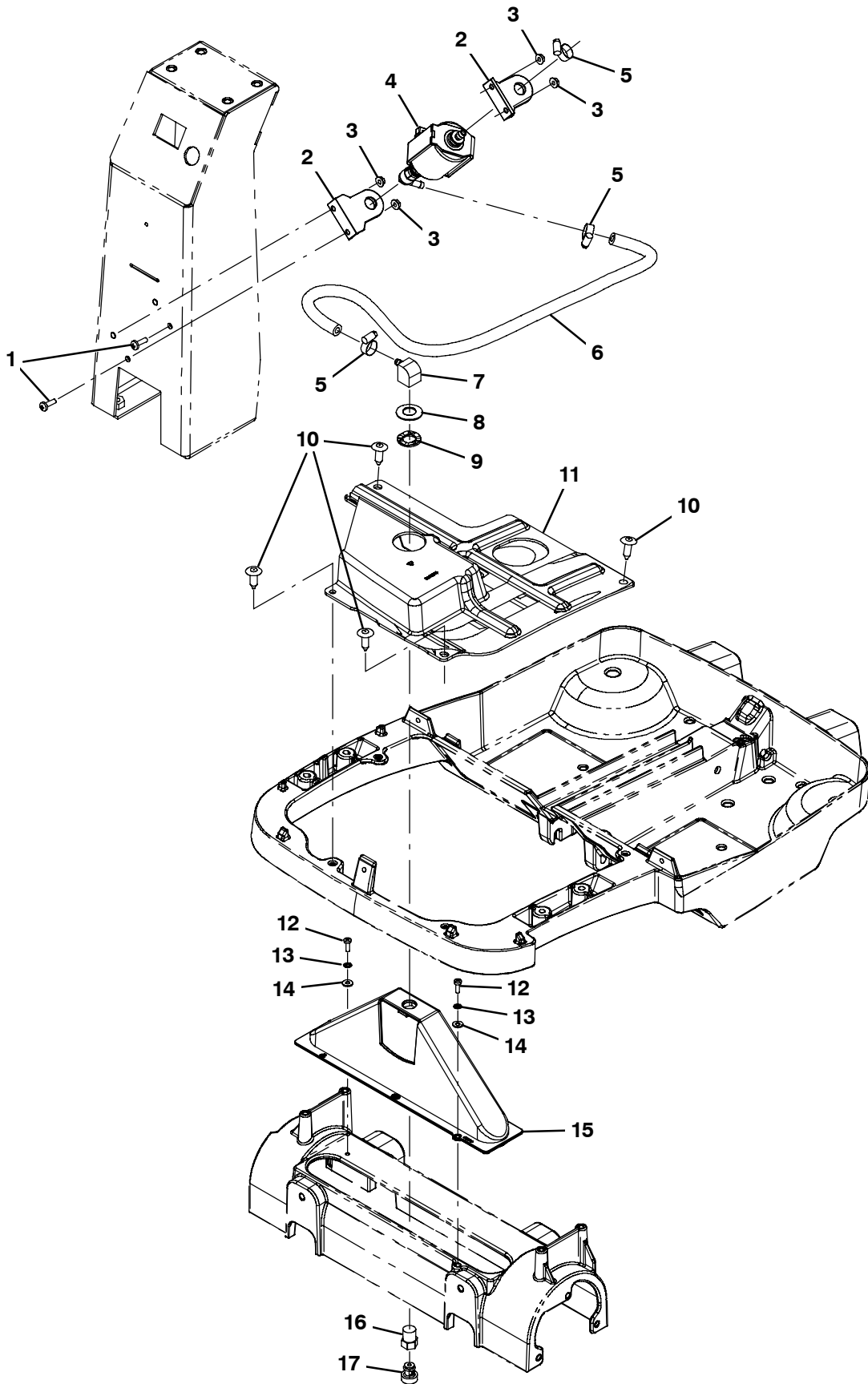
VACUUM FAN GROUP

Ref.	Part No.	Serial Number	Description	Qty.
1	1031960	(10000000-20000000)	Plate, Mtg, Vacuum	1
2	1026454	(10000000-20000000)	Screw, Pan, Phl, M5 X 0.80 X 10, Ss	3
3	610144	(10000000-20000000)	Spacer, Fan	2
4	1038394	(10000000-20000000)	● Hose, Vacuum, 38.0id X 380.0l, 1cuff	1
5	79381	(10000000-20000000)	Clamp, Hose, Wormdrive, 1.25-2.00d, .50w	3
6	1031965	(10000000-20000000)	Fitting, Brb, Pvc, 1.5in 3 Way X 90	1
7	1038391	(10000000-20000000)	● Hose, Vacuum, 38.0id X 330.0l, 1cuff	2
8	390677	(10000000-20000000)	● Muffler, Exhaust, Vacfan, Long	1
9	130773	(10000000-20000000)	Tie, Cable, Nyl, 11.0l, .14w, 3.0 Max. D	1
10	1037541	(10000000-20000000)	● Fan, Vacuum, 5.7d, 120 Vac, 2 Stage	1
11	01684	(10000000-20000000)	Washer, Flat, 0.27b 0.69d .05, Ss	6
12	08708	(10000000-20000000)	Nut, Hex, Lock, M6 X 1.00, NI	4
13	630010	(10000000-20000000)	● Gasket, 12.7mm Th, 43mmid 73mmmod	1
14	09007	(10000000-20000000)	Screw, Hex, M6 X 1.00 X 25, Ss	2
15	1034069	(10000000-20000000)	Plate, Vac Mounting	1

● RECOMMENDED STOCK ITEMS

SOLUTION GROUP

355060



SOLUTION GROUP

Ref.	Part No.	Serial Number	Description	Qty.
1	06933	(10000000-20000000)	Screw, Pan, Phl, M5 X 0.80 X 16, 4.8	4
2	1036121	(10000000-20000000)	Mount, Pump, Cp6	2
3	07789	(10000000-20000000)	Nut, Hex, Flng, M5 X 0.80	4
4	1035850	(10000000-20000000)	● Pump, Solution, Solenoid 120v	1
5	43844	(10000000-20000000)	Clamp, Hose, Wormdrive, 0.25-0.62d, .31w	3
6	613435	(10000000-20000000)	Hose, Pvc, Brd, 0.25id 0.50od 25.9l, Gray (160204)	1
7	1028773	(10000000-20000000)	Fitting, Brs, E90, Bm04/Pf04	1
8	1035296	(10000000-20000000)	Washer, Flat, Belleville, .567	1
9	1042714	(10000000-20000000)	Washer, Wavy, 0.59b 1.01d .02	1
10	140262	(10000000-20000000)	Rivet, Plstc, .250d, Blk [Xmas Tree]	3
11	1037573	(10000000-20000000)	Shield, Access [Trex]	1
12	579237	(10000000-20000000)	Screw, Pan, Phl, M4 X 0.70 X 12, Ss	2
13	02938	(10000000-20000000)	Washer, Lock, Int, 08, Ss	2
14	41579	(10000000-20000000)	Washer, Flat, 08, Ss	2
15	1034395	(10000000-20000000)	Shroud, Splash, Nozzle [Trex]	1
16	1034582	(10000000-20000000)	Nozzle Adapter, Qppm	1
17	1033942	(10000000-20000000)	● Nozzle [Qmvv 110-015]	1

● RECOMMENDED STOCK ITEMS

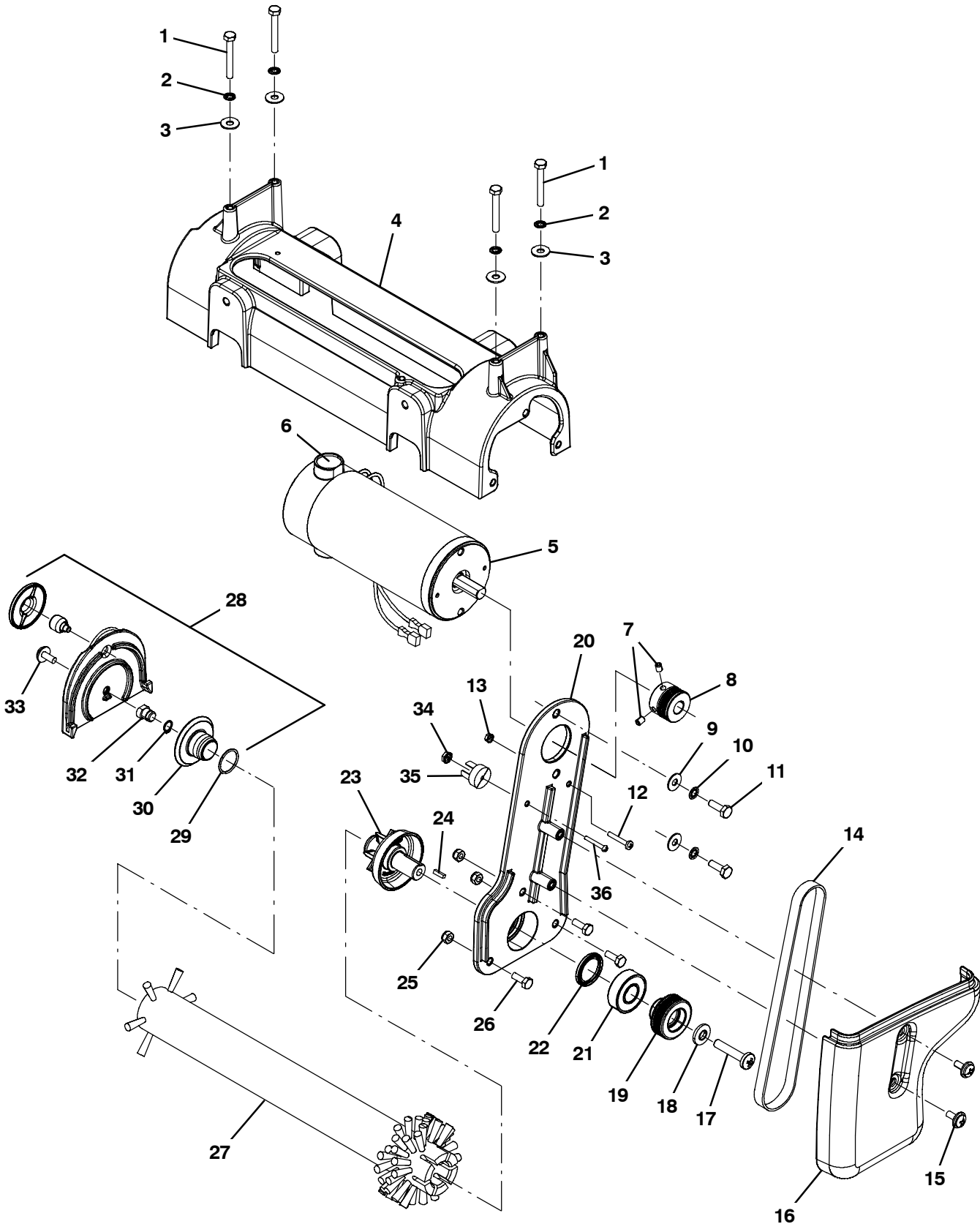
▽ ASSEMBLY

▲ INCLUDED IN ASSEMBLY

● RECOMMENDED STOCK ITEMS

SCRUB HEAD GROUP

355058



SCRUB HEAD GROUP

Ref.	Part No.	Serial Number	Description	Qty.
1	1045325	(10000000-20000000)	Screw, Hex, M6 X 1.00 X 45, Ss	4
2	1027144	(10000000-20000000)	Washer, Lock, Int, M6, Ss	4
3	01684	(10000000-20000000)	Washer, Flat, 0.27b 0.69d .05, Ss	4
4	1034380	(10000000-20000000)	Housing, Brush, Sngl, 40cm	1
▽	5	1034457	● Motor, .25hp, 115vdc, 2.5a, 2400 Rpm	1
▲	6	1045234	● Brush, Carbon (Pk=2) Ref Part 1034457	2
7	09162	(10000000-20000000)	Screw, Set, Soc, M6 X 1.00 X 8, NI	2
8	1030620	(10000000-20000000)	Sheave, 07grv, 32.78pd [Ph]	1
9	01684	(10000000-20000000)	Washer, Flat, 0.27b 0.69d .05, Ss	2
10	07515	(10000000-20000000)	Washer, Lock, Int, 0.25, Ss	2
11	34323	(10000000-20000000)	Screw, Hex, .25-20 X 0.75, NI	2
12	1033197	(10000000-20000000)	Screw, Pan, Phl, M4 X 0.70 X 25, Ss	1
13	1007109	(10000000-20000000)	Nut, Hex, Lock, M4 X 0.70, Kep, Ext	1
14	9004283	(10000000-20000000)	● Belt Kit, W/ Installation Tool	1
15	1019349	(10000000-20000000)	Screw, Trs, M6 X 1.00 X 16, Ss, Sems	2
16	1037927	(10000000-20000000)	Cover, Belt, Spg (Single Roller)	1
17	603154	(10000000-20000000)	Screw, Pan, M8 X 1.25 X 40, Ss	1
18	41186	(10000000-20000000)	Washer, Flat, Belleville, .31	1
19	1030614	(10000000-20000000)	Sheave, 07grv, 42.3pd [Ph]	1
▽	20	9004281	Bracket, Motor Mount W/ Bearing/Seal Kit	1
▲	21	140123	Bearing, Ball [1 Pc=1bearing]	1
▲	22	578138000	Seal, Oil, Brg, .94id 1.31od	1
▲	23	1028662	Hub, Drive, Brush	1
24	578416	(10000000-20000000)	Key, Sq, 0.13 X 0.13, 0.50l	1
25	08712	(10000000-20000000)	Nut, Hex, Lock, M6 X 1.00, NI, Ss	3
26	15678	(10000000-20000000)	Screw, Hex, M6 X 1.00 X 16, Ss	3
27	1037197	(10000000-20000000)	● Brush, Scrub, 89mm Od X 386mm, Nylon (Standard)	1
27	1037277	(10000000-20000000)	● Brush, Scrub, 89mm Od X 386mm, Poly (Optional)	1
27	1037278	(10000000-20000000)	● Brush, Scrub, 89mm Od X 386mm, Grit (Optional)	1
▽	28	9004279	Door Kit, Brush, W/ Hdwr	1
▲	29	1042312	Seal, Org, .070 X .875 Id, 020	1
▲	30	1030680	Hub, Idler, Brush	1
▲	31	01543	Ring, Retaining, Ext, 0.39d, Basic	1
▲	32	1030682	Shaft, Idler Plug	1
▲	33	1019349	Screw, Trs, M6 X 1.00 X 16, Ss, Sems	1
34	140534	(10000000-20000000)	Nut, Hex, #06-32, Nyl	1
35	130288	(10000000-20000000)	● Rectifier, Bridge, Rnd, 12a 1000volt, Ce	1
36	140946	(10000000-20000000)	Screw, Rnd, Slt, 06-32 X 1.00, Nyl	1

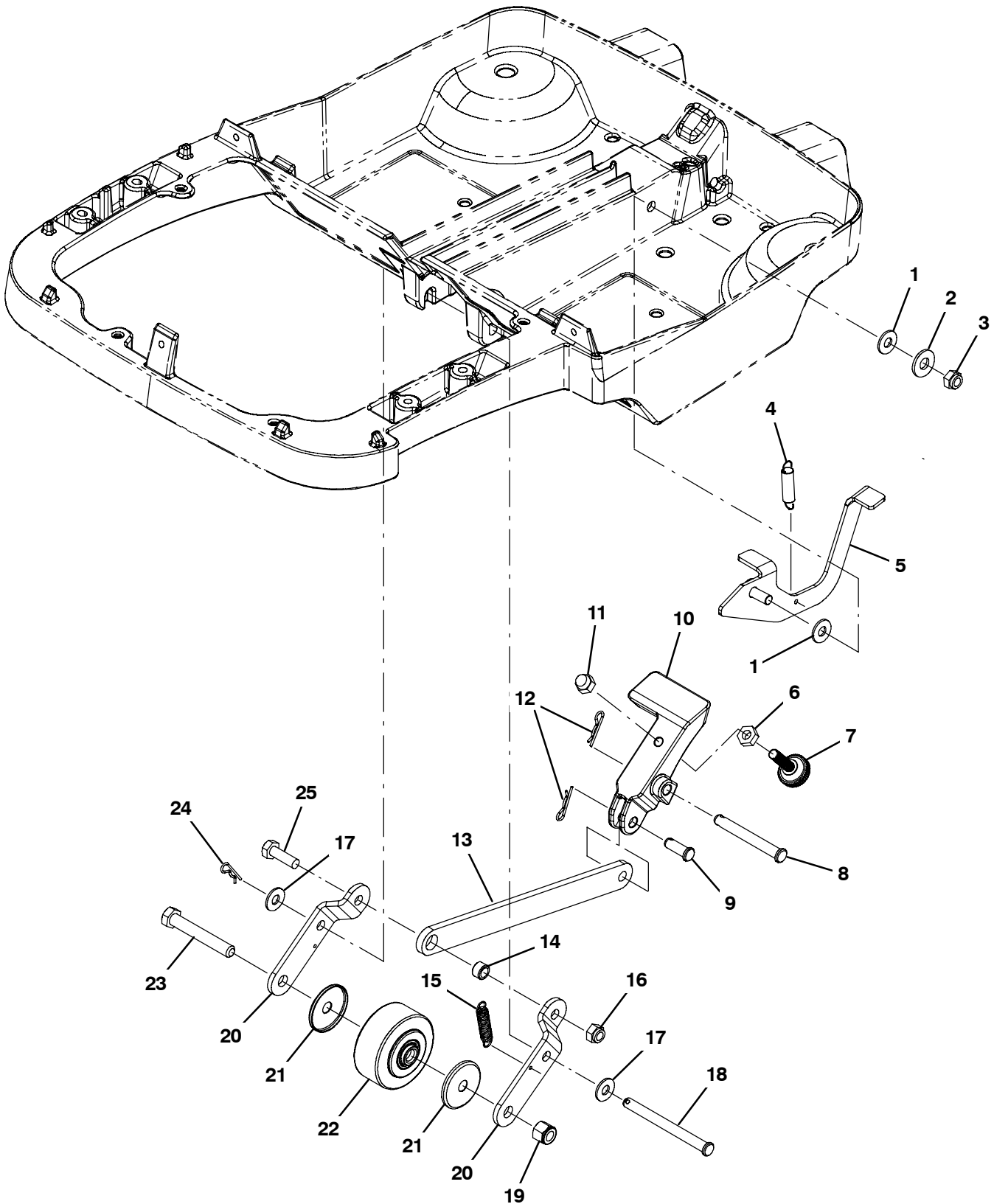
▽ ASSEMBLY

▲ INCLUDED IN ASSEMBLY

● RECOMMENDED STOCK ITEMS

SCRUB HEAD LIFT GROUP

355073



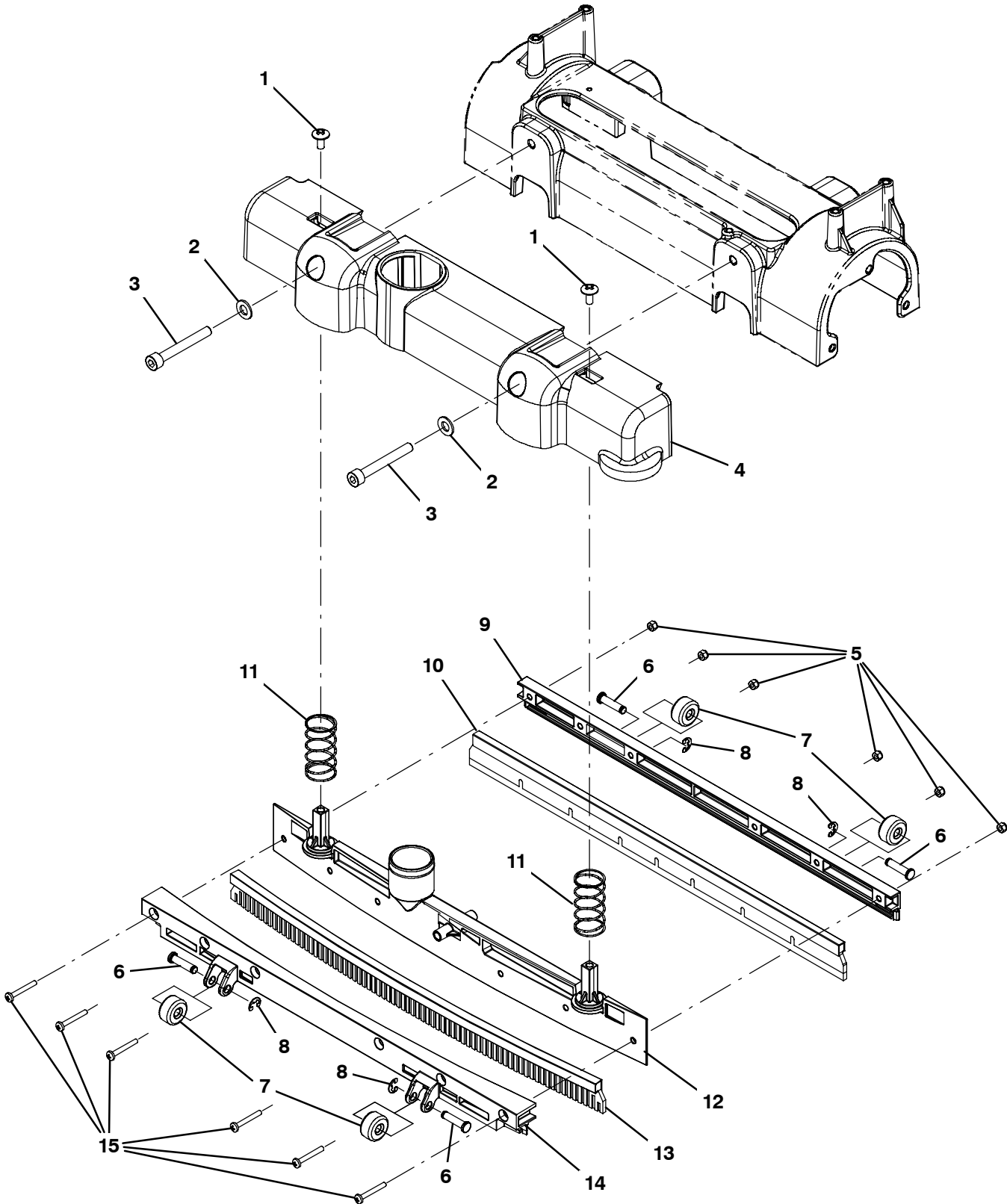
SCRUB HEAD LIFT GROUP

Ref.	Part No.	Serial Number	Description	Qty.
1	630446	(10000000-20000000)	Washer, Flat, 0.31b 0.75d .06, Nyl	2
2	01685	(10000000-20000000)	Washer, Flat, 0.38b 0.88d .08, Ss	1
3	08713	(10000000-20000000)	Nut, Hex, Lock, M8 X 1.25, NI, Ss	1
4	605812	(10000000-20000000)	Spring, Extn	1
5	1034420	(10000000-20000000)	Lever, Pedal, Wheel Release	1
6	140548	(10000000-20000000)	Nut, Hex, Jam, Fin .31, Ss	1
7	240191	(10000000-20000000)	● Knob Assy, Rnd, 1.00d .31-18 2.0l, Plstc	1
8	71274	(10000000-20000000)	Pin, Clevis, 0.31d X 2.62l	1
9	363987	(10000000-20000000)	Shaft	1
10	1034376	(10000000-20000000)	Pedal, Foot	1
11	41128	(10000000-20000000)	Nut, Low Crown, .31-18	1
12	08085	(10000000-20000000)	Pin, Cotter, Hair, 0.31d .058 Wir	2
13	1034368	(10000000-20000000)	Arm, Linkage, Transport	1
14	222516	(10000000-20000000)	Sleeve, P/M, 0.31b 0.50d 0.3l [430ss]	1
15	140402	(10000000-20000000)	Spring, Extn, 0.36od 0.04wir 01.8l, Mw	1
16	08713	(10000000-20000000)	Nut, Hex, Lock, M8 X 1.25, NI, Ss	1
17	630446	(10000000-20000000)	Washer, Flat, 0.31b 0.75d .06, Nyl	2
18	1034513	(10000000-20000000)	Pin, Clevis, 0.31d X 3.50l	1
19	59156	(10000000-20000000)	Nut, Hex, Lock, .38-16, NI, Ss	1
20	1034371	(10000000-20000000)	Bracket, Transport, Wheel	1
21	1034351	(10000000-20000000)	Guard, Thread, Wheel	2
22	1034355	(10000000-20000000)	● Wheel, 02.5d 1.25w 0.38b, Rbr, Gray	1
23	27992	(10000000-20000000)	Screw, Hex, .38-16 X 2.50, G5	1
24	08085	(10000000-20000000)	Pin, Cotter, Hair, 0.31d .058 Wir	1
25	09010	(10000000-20000000)	Screw, Hex, M8 X 1.25 X 25, Ss	1

● RECOMMENDED STOCK ITEMS

SQUEEGEE GROUP, FRONT

355076



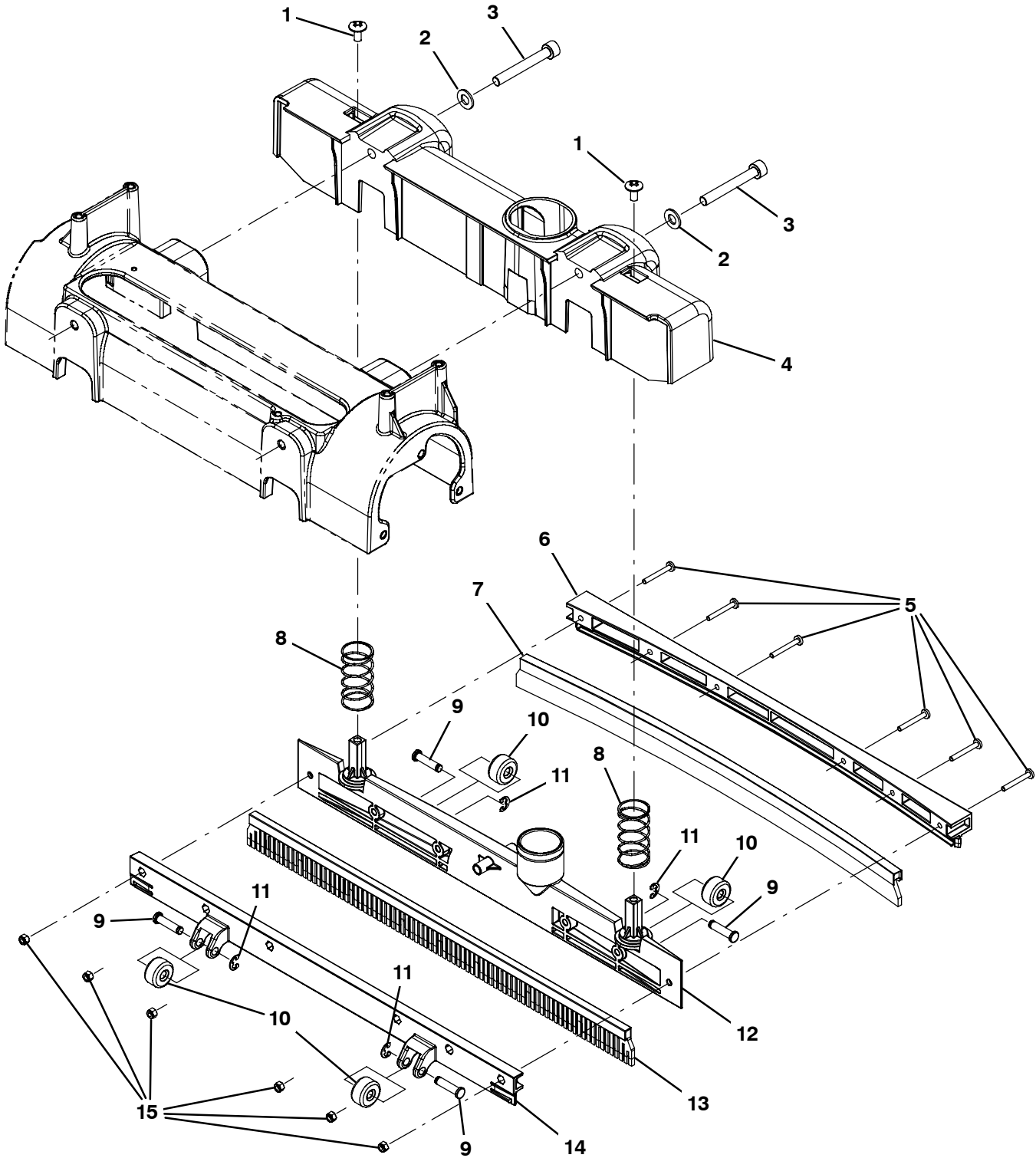
SQUEEGEE GROUP, FRONT

Ref.	Part No.	Serial Number	Description	Qty.
1	140195	(10000000-20000000)	Screw, Trs, .25-20 X 0.50, Phl, Ss, Sems	2
2	39349	(10000000-20000000)	Washer, Flat, 0.31, Sae	2
3	09294	(10000000-20000000)	Screw, Soc, M8 X 1.25 X 60, 12.9	2
4	1034109	(10000000-20000000)	Housing, Squeegee	1
5	33932	(10000000-20000000)	Nut, Hex, Lock, M4 X 0.70, NI, Ss	6
6	1030965	(10000000-20000000)	Pin, Grv, 0.25	4
7	1030852	(10000000-20000000)	● Roller, Squeegee	4
8	1035647	(10000000-20000000)	Ring, Retaining, Ext, 0.25", [E-Ring]	4
9	1030452	(10000000-20000000)	Retainer, Squeegee, Inner	1
10	1050940	(10000000-20000000)	● Blade Assy, Sqge, Inner, Ure	1
11	1030427	(10000000-20000000)	Spring, Cmpr, 0.92id 0.05wir 02.0l	2
12	1036676	(10000000-20000000)	Frame, Squeegee	1
13	1050943	(10000000-20000000)	● Blade Assy, Sqge, Outer, Ure	1
14	1036706	(10000000-20000000)	Retainer, Squeegee, Outer	1
15	33931	(10000000-20000000)	Screw, Pan, Phl, M4 X 0.70 X 30, Ss	6

● RECOMMENDED STOCK ITEMS

SQUEEGEE GROUP, REAR

355063



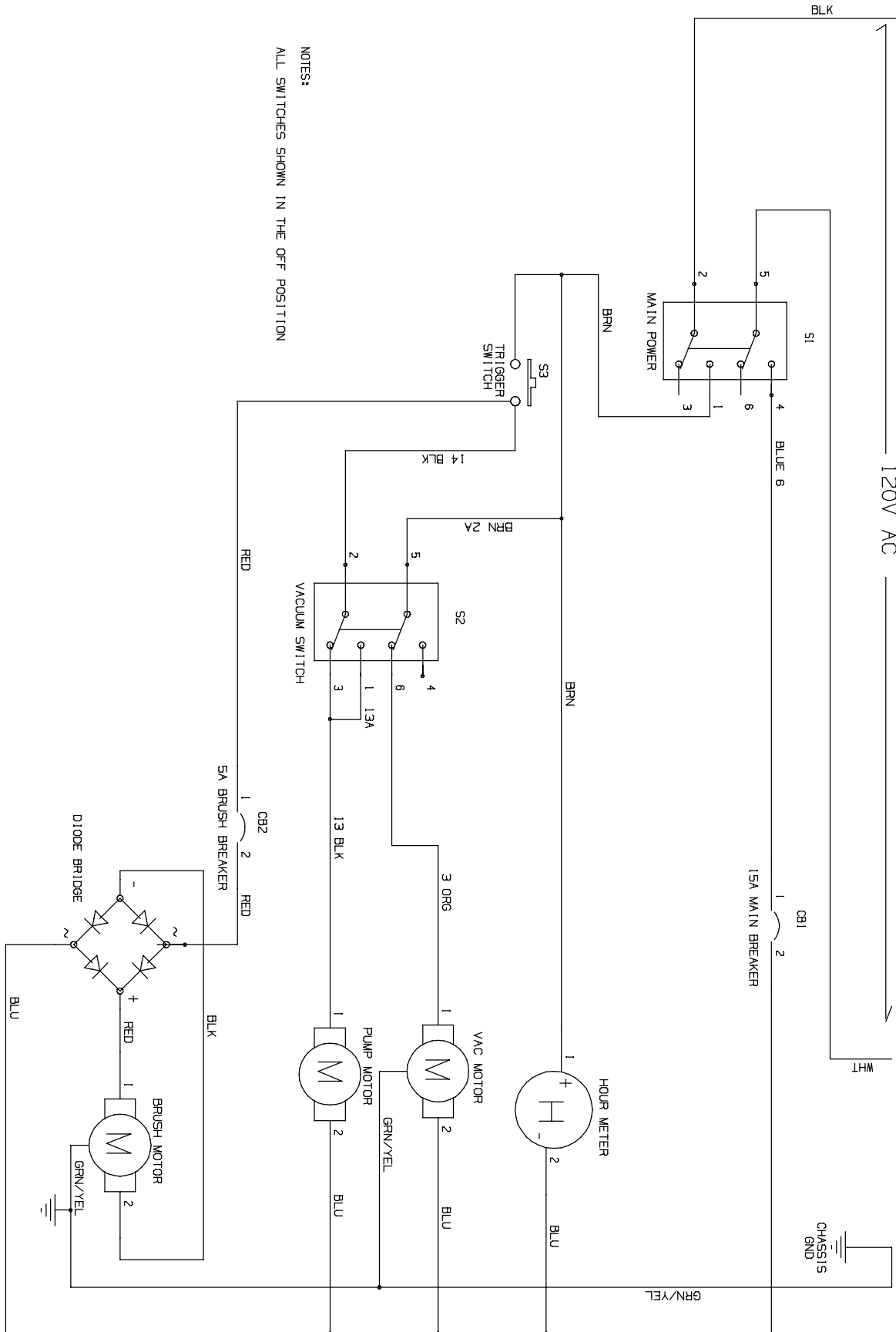
SQUEEGEE GROUP, REAR

Ref.	Part No.	Serial Number	Description	Qty.
1	140195	(10000000-20000000)	Screw, Trs, .25-20 X 0.50, Phl, Ss, Sems	2
2	39349	(10000000-20000000)	Washer, Flat, 0.31, Sae	2
3	09294	(10000000-20000000)	Screw, Soc, M8 X 1.25 X 60, 12.9	2
4	1034109	(10000000-20000000)	Housing, Squeegee	1
5	33931	(10000000-20000000)	Screw, Pan, Phl, M4 X 0.70 X 30, Ss	6
6	1030452	(10000000-20000000)	Retainer, Squeegee, Inner	1
7	1050940	(10000000-20000000)	● Blade Assy, Sqge, Inner, Ure	1
8	1035647	(10000000-20000000)	Ring, Retaining, Ext, 0.25", [E-Ring]	2
9	1030965	(10000000-20000000)	Pin, Grv, 0.25	4
10	1030852	(10000000-20000000)	● Roller, Squeegee	4
11	1035647	(10000000-20000000)	Ring, Retaining, Ext, 0.25", [E-Ring]	4
12	1036676	(10000000-20000000)	Frame, Squeegee	1
13	1050943	(10000000-20000000)	● Blade Assy, Sqge, Outer, Ure	1
14	1036706	(10000000-20000000)	Retainer, Squeegee, Outer	1
15	33932	(10000000-20000000)	Nut, Hex, Lock, M4 X 0.70, NI, Ss	6

● RECOMMENDED STOCK ITEMS

ELECTRICAL DIAGRAM

1046178



NOTES:
ALL SWITCHES SHOWN IN THE OFF POSITION

